

3 WAYS STAINLESS STEEL BALL VALVES FLANGED PN16 L PORT

3 ways stainless steel ball valve L port with full bore for Chemical industries, petrochemical industries, hydraulic installation, heating, water distribution, compressed air.

PTFE filled with glass packing and Viton® O ring on stem, PTFE filled with 15% glass seat for a temperature up to +150°C. Compatible with explosive atmosphere, ATEX Zone 1&21 and Zone 2&22 thanks to the double antistatic device. Thanks to the ISO 5211 plate, an actuator can be directly installed on the valve up to DN80.



Size : DN25 to DN150
Connection : Flanged PN16 RF
Min Temperature : -30°C
Max Temperature : +150°C
Max Pressure : 16 bars
Specifications : ISO 5211 mounting pad
PTFE filled with 15% glass seat
Anti blow-out stem
Full bore
ATEX

Materials : Stainless Steel EN 1.4408

3 WAYS STAINLESS STEEL BALL VALVES FLANGED PN16 L PORT

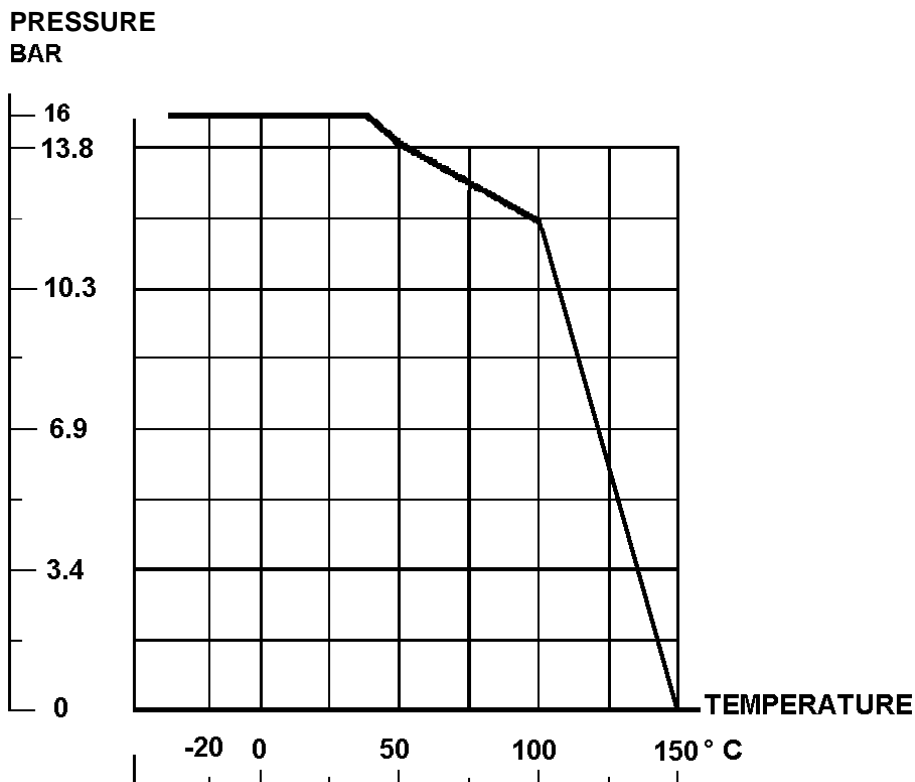
SPECIFICATIONS :

- Full bore
- Anti blow-out stem
- Double antistatic device
- PTFE seat filled with glass
- Locking device
- ISO 5211 mounting pad
- Direct mounting up to DN80
- Tightness on 3 ways
- L port
- Trunnion mounted ball valve from DN100 to DN150

USE :

- Chemical industries, petrochemical industries, hydraulic installation, heating, water distribution, compressed air
- Min and max Temperatures Ts : -30°C to + 150°C
- Max Pressure Ps : 16 bars (see graph)
- Do not use for vacuum

PRESSURE / TEMPERATURE GRAPH (STEAM EXCLUDED) :



3 WAYS STAINLESS STEEL BALL VALVES FLANGED PN16 L PORT

TORQUE VALUES (in Nm without safety coefficient) :

DN	25	32	40	50	65	80	100	125	150
Torque (Nm)	16.2	26	44	126	174	210	290	572	924

FLOW COEFFICIENT Kvs (M3 / H) :

DN	25	32	40	50	65	80	100	125	150
Kvs (M3 / H)	30	50	72	131.2	227.7	311.4	554.7	893.3	1328.6

BONNET/END TIGHTENING BOLTING TORQUES (in Nm) :

DN	25	32	40	50	65	80	100	125	150
Torque (Nm)	28	30	40	45	65	80	85	90	92

RANGE :

- 3 ways ball valve stainless steel body L port Ref. 785 DN 25 to DN 150

CONNECTION :

- Flanges R.F. PN16

REPAIRABILITY :

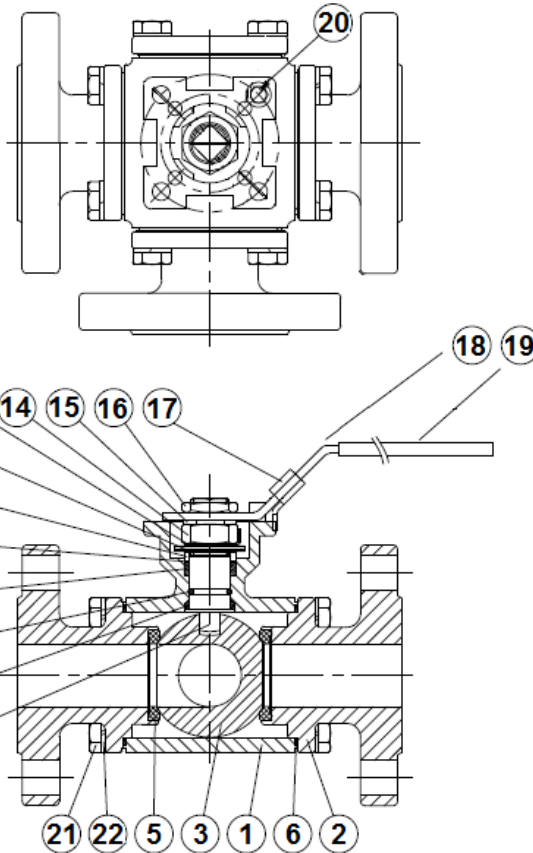
- Gaskets kit (see materials lists pages 4-6 for details of gaskets included) :



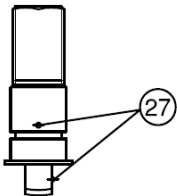
DN	25	32	40	50	65	80	100	125	150
Ref.	9804283	9804284	9804285	9804286	9804287	9804288	9804289	9804290	9804291

3 WAYS STAINLESS STEEL BALL VALVES FLANGED PN16 L PORT

MATERIALS DN 25 - 40 :



Stem Zoom:

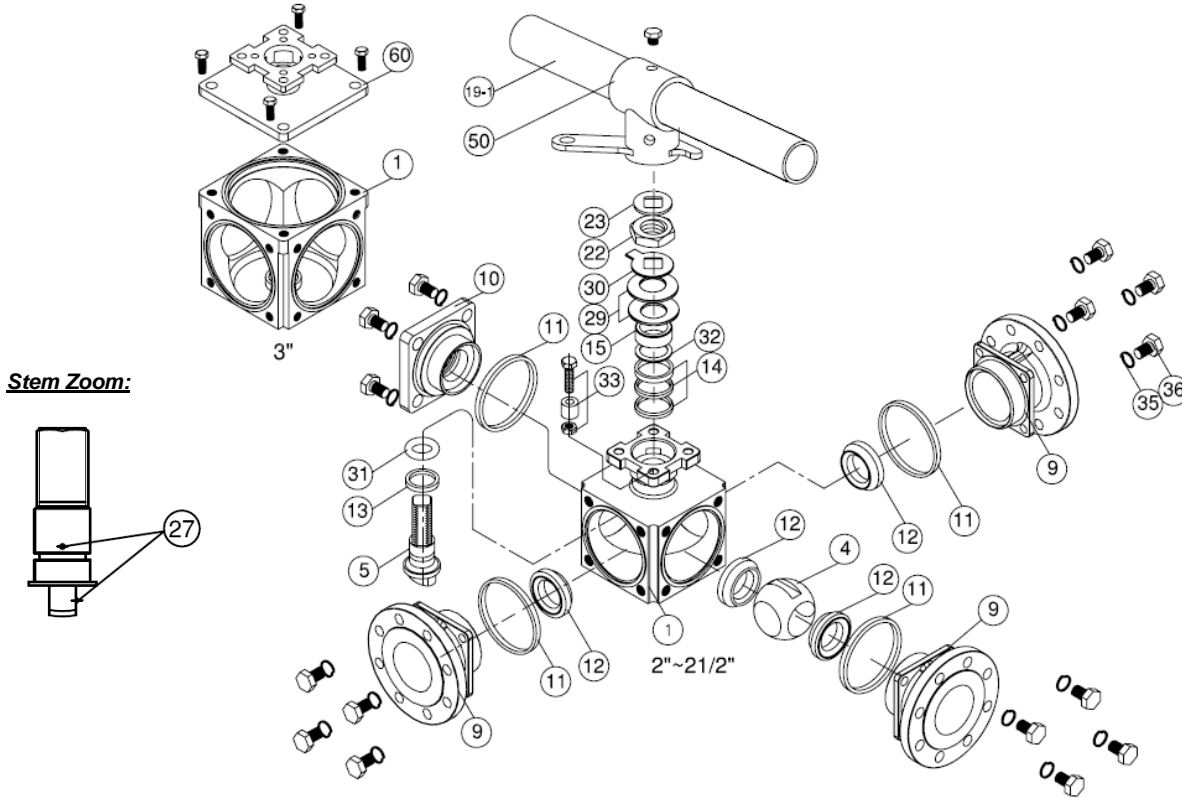


(* : Included in gaskets kit)

Item	Designation	Materials
1	Body	EN 1.4408
2	Ends	
3	Ball	ASTM A351 CF8M
4	Stem	AISI 316
5*	Seat	PTFE filled with 15% glass
6*	Body gasket	PTFE
7*	Thrust washer	PTFE filled with 15% glass
8*	O ring	Viton®
9*	Packing	PTFE filled with 15% glass
10*	Packing follower	PTFE filled with 25% glass
11	Gland	AISI 304
12	Elastic washer	AISI 301
13	Stop washer	AISI 304
14	Packing nut	
15	Handle washer	
16	Handle nut	
17	Locking device	
18	Handle	Plastic
19	Handle cover	
20	Stopper	AISI 304
21	Screw	
22	Washer	
27	Antistatic device	AISI 316

3 WAYS STAINLESS STEEL BALL VALVES FLANGED PN16 L PORT

MATERIALS DN 50 - 80 :

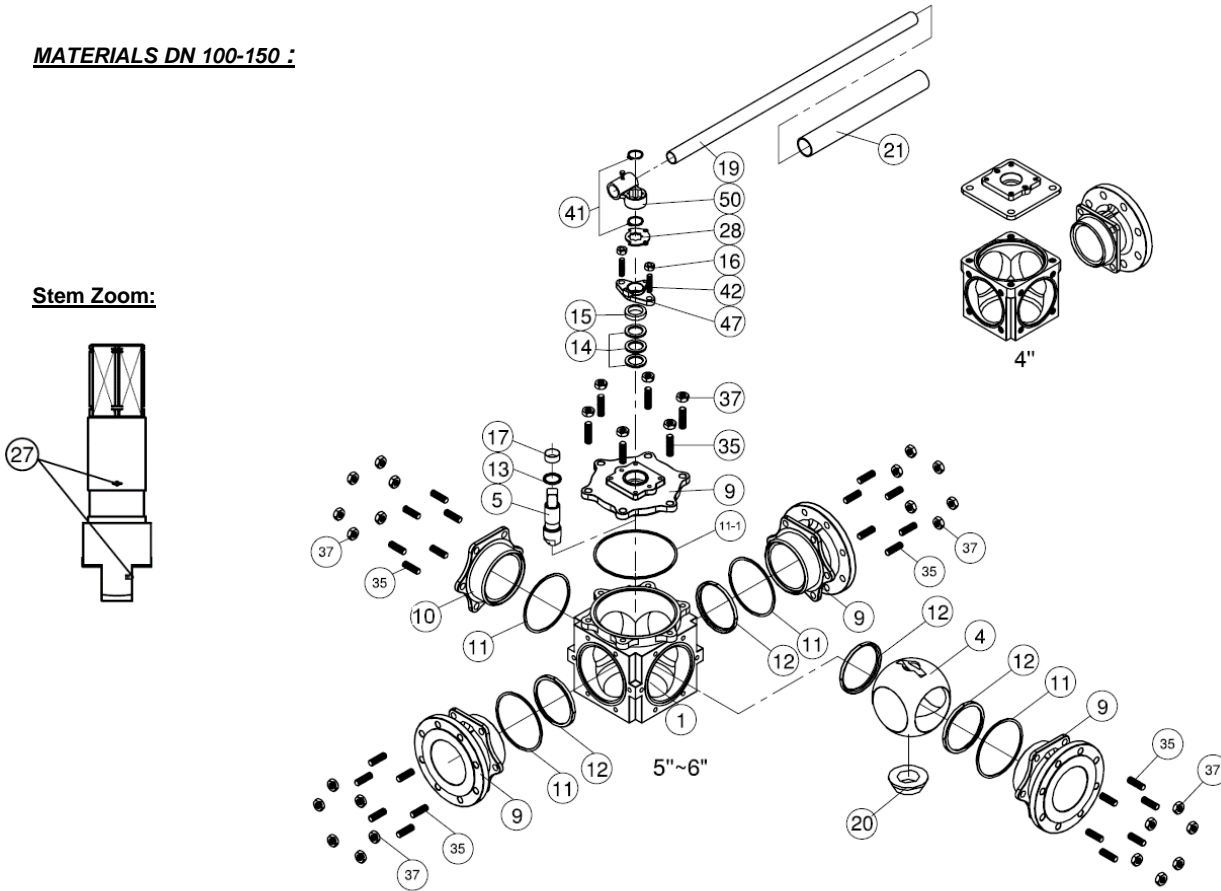


Item	Designation	Materials
1	Body	EN 1.4408
4	Ball	ASTM A351 CF8M
5	Stem	AISI 316
9	Ends	EN 1.4408
10	Bliand cap	
11*	Body seal	PTFE
12*	Seat	PTFE filled with 15% glass
13*	Thrust washer	
14*	Stem packing	
15	Gland	AISI 304
19-1	Handle	Iron
22	Stem nut	AISI 304
23	Handle washer	
27	Antistatic device	AISI 316
29	Elastic washer	AISI 301
30	Stop washer	AISI 304
31*	O ring	Viton®
32*	Packing follower	PTFE filled with 25% glass
33	Stop pin	AISI 304
35	Bolt washer	
36	Bolt	
50	Handle adapter	ASTM A351 CF8

(* : Included in gaskets kit)

3 WAYS STAINLESS STEEL BALL VALVES FLANGED PN16 L PORT

MATERIALS DN 100-150 :



Item	Designation	Materials
1	Body	EN 1.4408
4	Ball	ASTM A351 CF8M
5	Stem	AISI 316
9	Ends	EN 1.4408
10	Bliand cap	
11*	Body seal	PTFE
11-1*	Top seal	PTFE
12*	Seat	PTFE filled with 15% glass
13*	Thrust washer	
14*	Stem packing	
15	Gland bush	
16	Gland nut	AISI 304
17*	Stem bushing	PTFE
19	Handle	Iron
20	Set bolt	AISI 304
21	Handle cover	Plastic
27	Antistatic device	AISI 316
28	Stop plate	AISI 304
35	Bolt	
37	Bolt nut	
41	Snap ring	ASTM A351 CF8
42	Gland bolt	
47	Gland flange	
50	Handle adapter	

(* : Included in gaskets kit)

3 WAYS STAINLESS STEEL BALL VALVES FLANGED PN16 L PORT

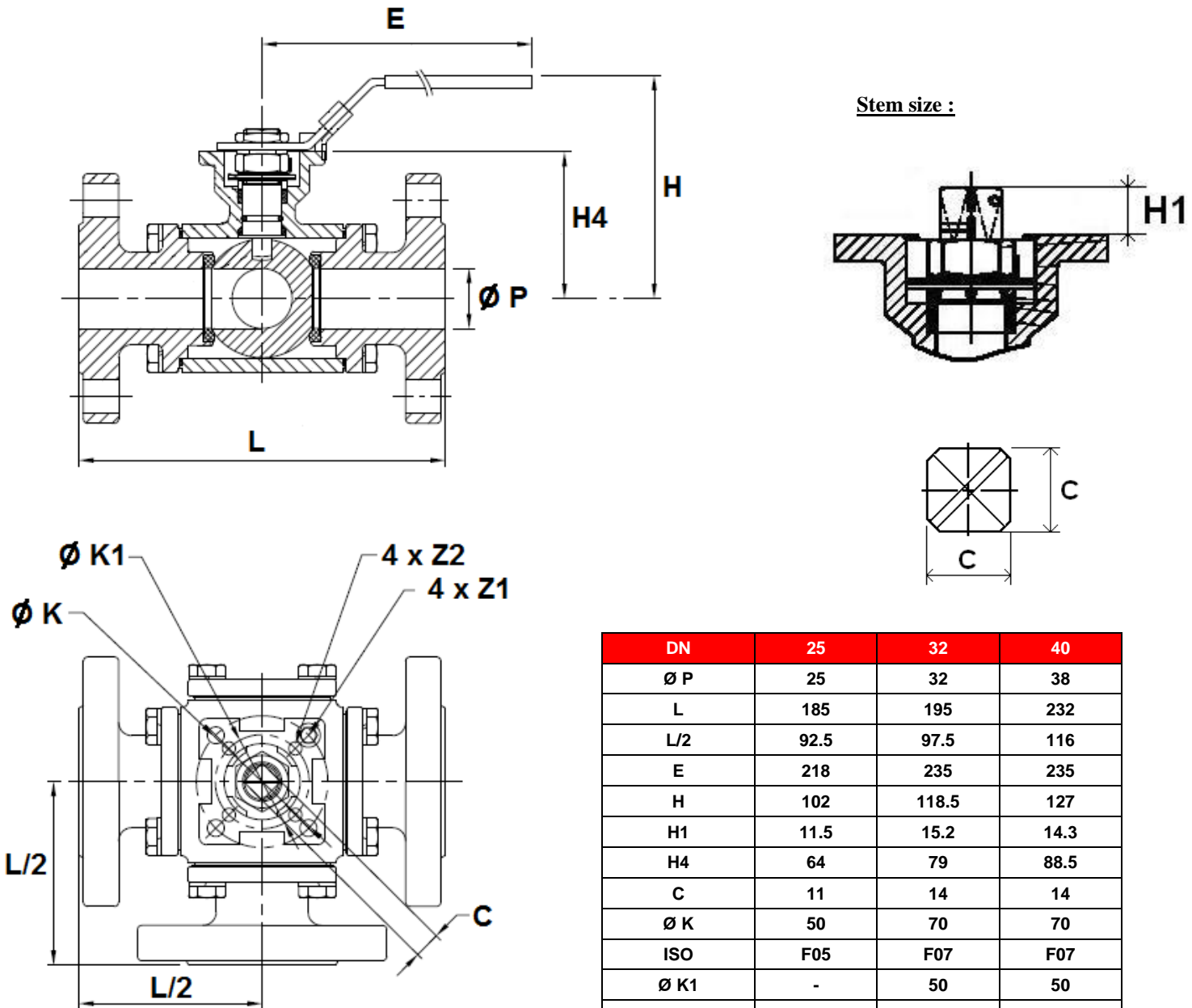
POSSIBLES POSITIONS :

L PORT (only 2 consecutive positions are possibles)

Position L1	Position L2	Position L3	Position L4	Position L5

3 WAYS STAINLESS STEEL BALL VALVES FLANGED PN16 L PORT

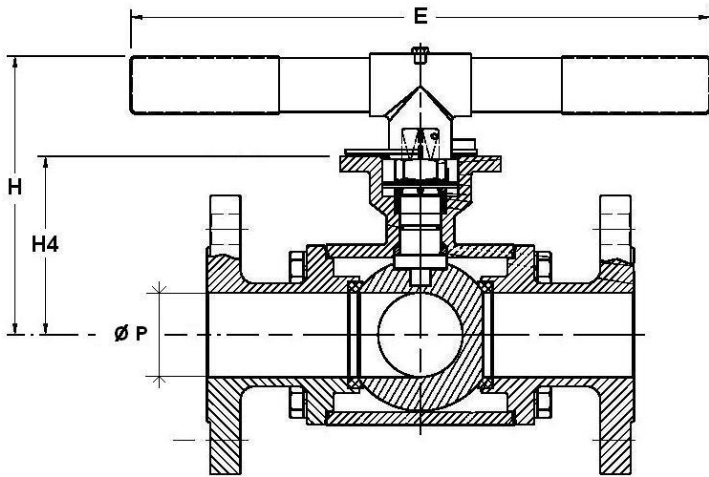
SIZE DN 25 - 40 (in mm) :



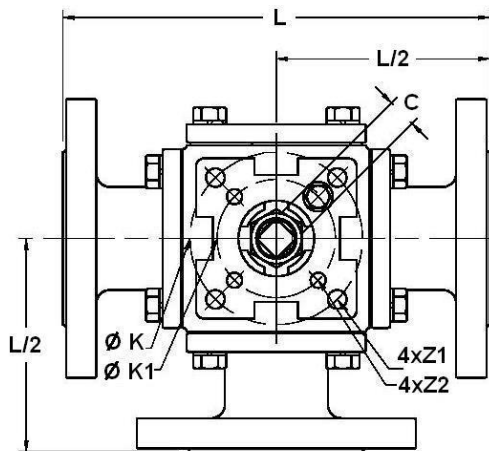
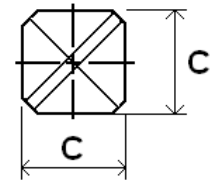
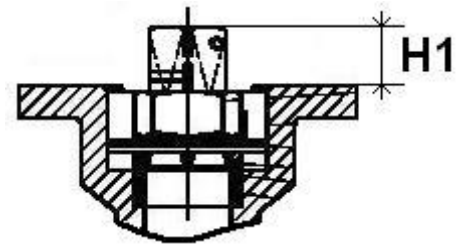
DN	25	32	40
Ø P	25	32	38
L	185	195	232
L/2	92.5	97.5	116
E	218	235	235
H	102	118.5	127
H1	11.5	15.2	14.3
H4	64	79	88.5
C	11	14	14
Ø K	50	70	70
ISO	F05	F07	F07
Ø K1	-	50	50
ISO 1	-	F05	F05
4xZ1	4 x 7	4 x 9	4 x 9
4xZ2	-	4 x 7	4 x 7
Weight (in Kg)	7.5	10.9	14.9
Ref.	785025	785032	785040

3 WAYS STAINLESS STEEL BALL VALVES FLANGED PN16 L PORT

SIZE DN 50-80 (in mm) :



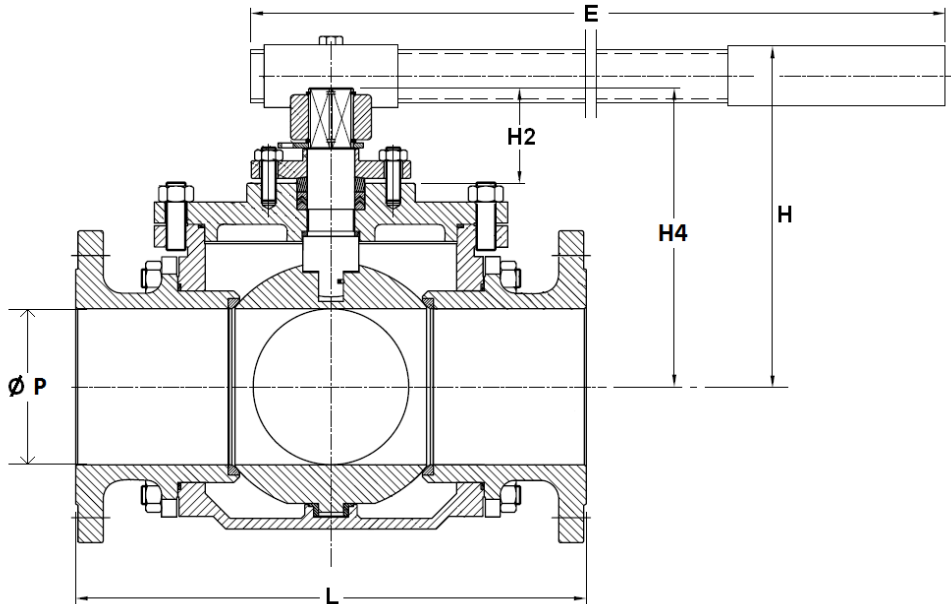
Stem size :



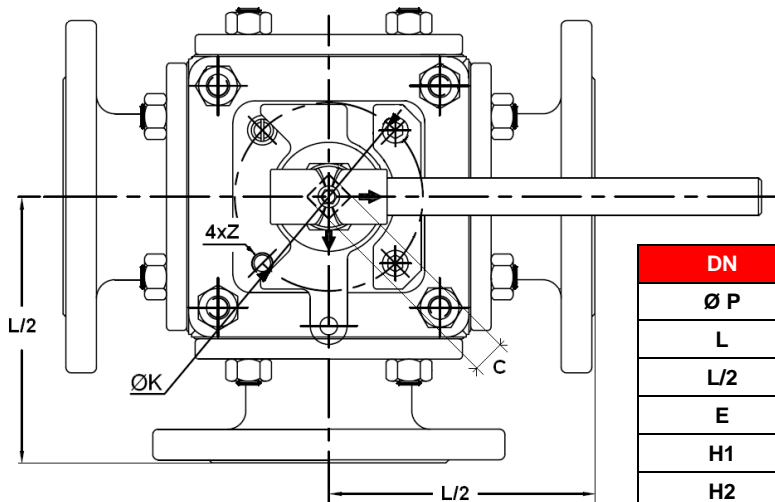
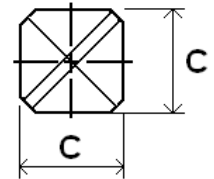
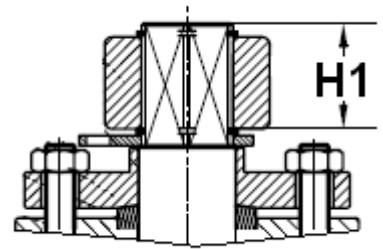
DN	50	65	80
Ø P	50	65	76
L	253	270	292.2
L/2	126.5	135	146.1
E	400	400	400
H	154.8	166.2	173.8
H1	17.8	17.5	17.5
H4	105.8	117.3	128
C	17	17	17
Ø K	102	102	102
ISO	F10	F10	F10
Ø K1	70	70	70
ISO 1	F07	F07	F07
4xZ1	4x11	4x11	4x11
4xZ2	4x9	4x9	4x9
Weight (Kg)	19	23.75	34.5
Ref.	785050	785065	785080

3 WAYS STAINLESS STEEL BALL VALVES FLANGED PN16 L PORT

SIZE DN 100-150 (in mm) :



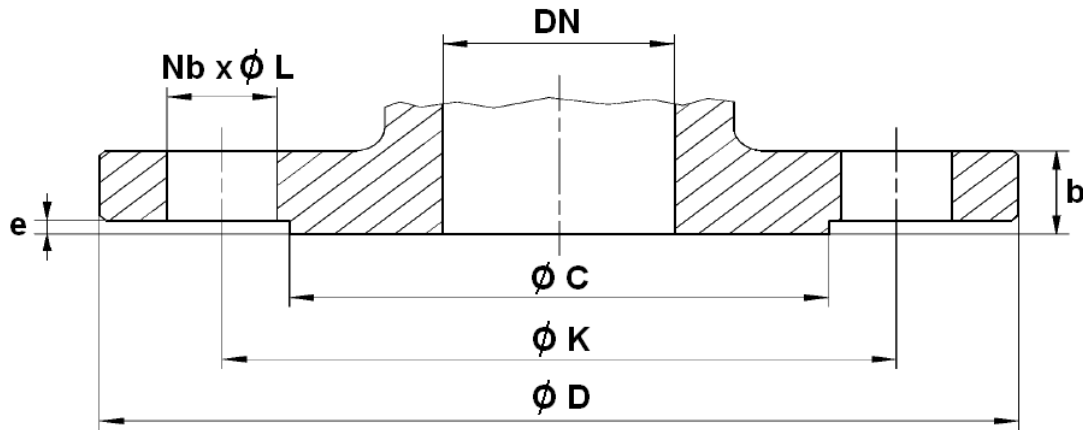
Stem size :



DN	100	125	150
Ø P	100	125	150
L	360	416	473
L/2	180	208	236.5
E	600	600	800
H1	33	33	43.5
H2	70	70	77.5
H4	193	233	266
H	212	261	283.5
C	27	27	36
Ø K	125	125	140
ISO	F12	F12	F14
4xZ	4x M12x1.75	4x M12x1.75	4x M16x2
Weight (Kg)	67.4	95	124
Ref.	785100	785125	785150

3 WAYS STAINLESS STEEL BALL VALVES FLANGED PN16 L PORT

FLANGES SIZE (in mm) :



DN	25	32	40	50	65	80	100	125	150
Ø C	68	78	88	102	122	138	158	188	212
Ø D	115	140	150	165	185	200	220	250	285
Ø K	85	100	110	125	145	160	180	210	240
Nb x Ø L	4 x 14	4 x 18	4 x 18	4 x 18	4 x 18	8 x 18	8 x 18	8 x 18	8 x 22
b	18	18	18	20	18	20	20	22	22
e	2	2	2	2	2	2	2	2	2

STANDARDS :

- Manufacturer certified ISO 9001:2015
- DIRECTIVE 2014/68/EU : For liquids and gas of Group 1
 - DN25 : Article 4, §3 (SEP), no CE marking
 - DN32-50 : Risk Category I, marking CE 0038 or 0343
 - DN65-150 : Risk Category II, marking CE 0038 or 0343
- Certificate 3.1 on request
- Pressure tests according to EN 12266-1, Rate A
- Flanges R.F. PN16 according to EN 1092-1
- ISO 5211 mounting pad
- ATEX Group II Category 2 G/2D Zone 1 & 21 Zone 2 & 22 (optional marking) according directive 2014/34/EU

ADVICE : Our opinion and our advice are not guaranteed and SFERACO shall not be liable for the consequences of damages. The customer must check the right choice of the products with the real service conditions.

Sferaco 90 rue du Ruisseau 38297 St Quentin Fallavier Tel: + 33 (0) 474.94.15.90 Fax: + 33 (0) 474.95.62.08 Internet: www.sferaco.com E-mail : info@sferaco.fr