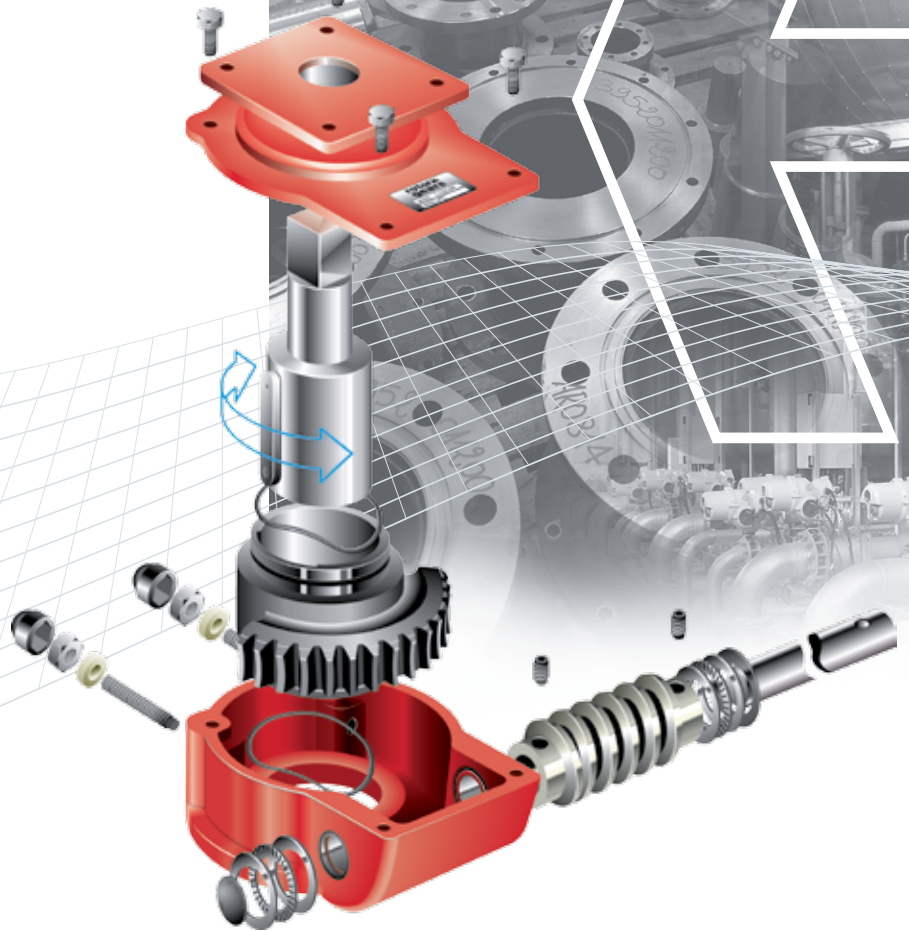


rotork®

Gears

ILG-S Series

Cast Iron Housing Manual
Override Gear Operators



ILG-S Series Gear Operators

The Rotork Gears Series 'ILG-S' gear operators are designed to provide a means of manually overriding pneumatic valve actuators in power and process applications. ILG-S are used for spring-return actuators only. This design features a 90° slotted key drive and does not utilise a disengagement mechanism.

Application

The Rotork Gears series 'ILG-S' operators are used in all industries where reliable manual operation of pneumatic spring-return actuators is required. All units mount between the valve and actuator and can be supplied with an ISO drive shaft.

Features

- Protected input shaft
- Cast iron housing
- Rugged construction
- Axial needle bearings
- Light weight
- Integral top flange and ISO drive

Options

- IP68 Enclosure
- Stainless Steel input shafts
- High and low temperature ranges
- Padlock Flange
- Flexible Extensions.

Performance Specification

- Stroke: 0 - 90°
(± 5° adjustable)
- Enclosure: Sealed to IP65
Other enclosures are available on request.
- No. of Models: 10
- Torque Range:
330 to 32,000 Nm
(2900 to 283,520 lbf.in)
- Temperature:
-20 to +120 °C
(-4 to +250 °F)

Dystrybutor:



ARMASER Maciej Zawieja

ul. Jana Pawła II 59

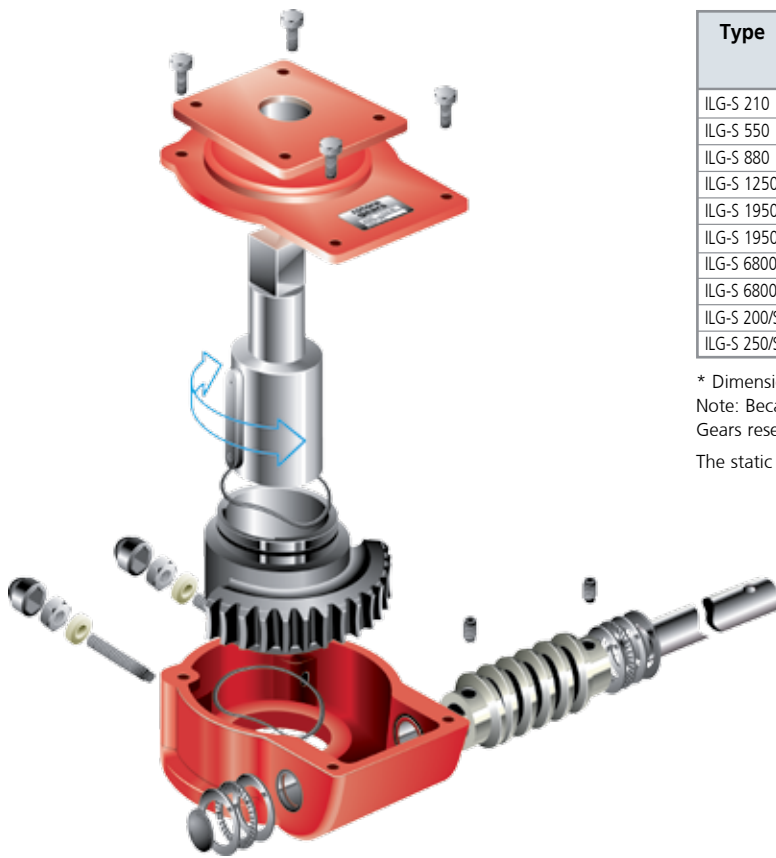
98-200 Sieradz

Tel. 602 373 675

www.armaster.com.pl

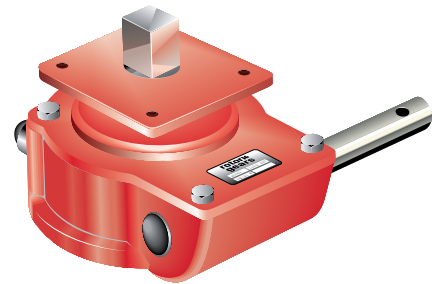
Redefining Flow Control

rotork® Gears



Type	Ratio	Torque Nm (lbf. inch)		M.A. ± 15%	Weight kg (lb)
		Output	Input		
ILG-S 210	37 : 1	330 (2920)	28.5 (250)	11.6	5 (11) /*7 (15)
ILG-S 550	34 : 1	934 (8270)	78 (686)	12	10 (22) /*13 (29)
ILG-S 880	38 : 1	1620 (14350)	123 (1100)	13.2	14 (31) /*17 (37)
ILG-S 1250	55 : 1	2640 (23380)	139 (1230)	19	22 (48) /*27.5 (61)
ILG-S 1950	52 : 1	3050 (27020)	160 (1418)	19	35 (77) /*47.7 (105)
ILG-S 1950/SP4	211 : 1	6800 (60180)	103 (912)	66	45 (99) /*57.7 (127)
ILG-S 6800/SP4	325 : 1	12500 (110634)	134 (1182)	93.6	84 (185) /*114.4 (252)
ILG-S 6800/SP6	480 : 1	17000 (150620)	108 (958)	157	95 (209) /*125.4 (276)
ILG-S 200/SP9	592 : 1	26000 (230119)	166 (1466)	157	157 (346)
ILG-S 250/SP9	707 : 1	32000 (283224)	142 (1259)	225	235 (518)

* Dimensions if large base housing is used. More ratios are available.
 Note: Because of the company's policy of continuous improvement, Rotork Gears reserves the right to change specification details without prior notice.
 The static safety factor is 1.5.



Material specification for Rotork ILG-S Series Gear Operators

No.	Description	Material	Notes
1	Worm screw	Steel	12.9 / DIN 915
2	Worm	Carbon steel	C45 / AISI 1045
3	Gasket	Liquid Seal	-
4	Needle bearing	AXK-AS	Hardened steel
5	Bushing	P10	PAP
6	Oil-seal	NBR 70	-
7	Shaft	Protected Steel	-
8	Grease	Renolit CLX2	-
9	Coupling	9SMn28K / St52.3	-
10	Coverplate	Cast Iron	GG25 / ASTM A48-40
11	Quadrant	Ductile Iron	GGG40 / ASTM D60-40-18
12	Body	Cast Iron	GG25 / ASTM A48-40
13	Gear	Carbon steel	C45 / AISI 1045

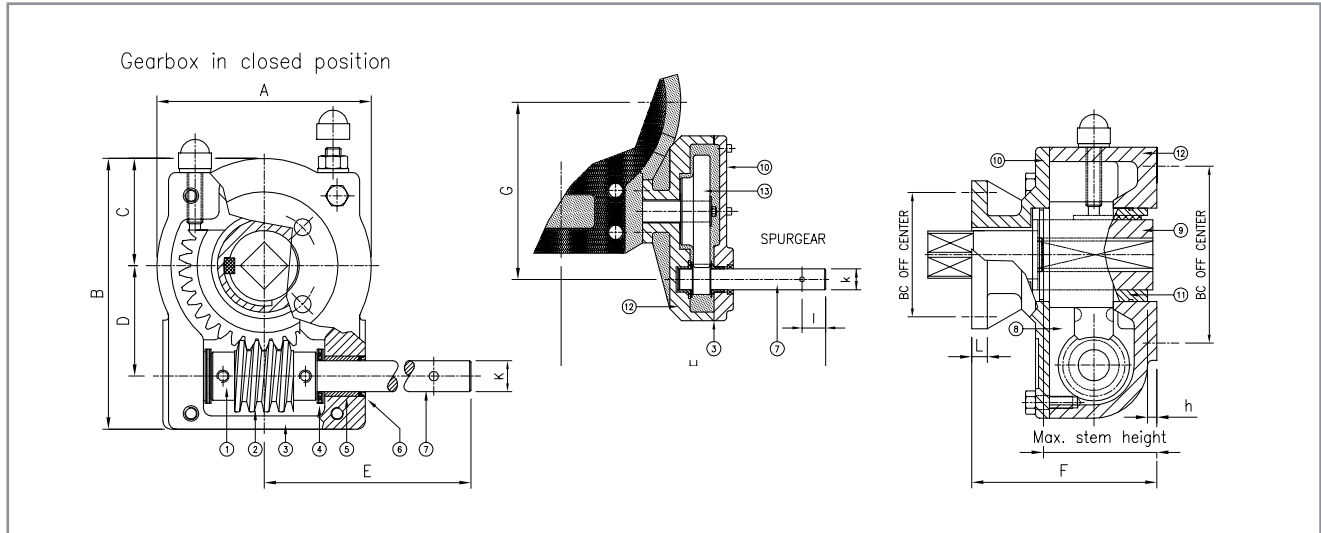
Note: Because of the company's policy of continuous improvement, Rotork Gears reserves the right to change specification details without prior notice.
 Note: Ductile Iron housing is optional.

Redefining Flow Control

ILG-S Series

Cast Iron Housing Manual Override Gear Operators

Gearbox ILG-S Series



Type	Act. Connection	Max. bore
ILG-S 210	Ø24 (0.94)	[[19 (0.75)
ILG-S 550	Ø36 (1.42)	[[27 (1.06)
ILG-S 880	Ø50 (1.97)	[[36 (1.42)
ILG-S 1250	Ø60 (2.36)	[[46 (1.81)
ILG-S 1950	Ø78 (3.07)	[[55 (2.16)
ILG-S 1950/SP4	Ø78 (3.07)	[[55 (2.16)
ILG-S 6800/SP4	Ø100 (3.94)	[[75 (2.95)
ILG-S 6800/SP6	Ø100 (3.94)	[[75 (2.95)
ILG-S 200/SP9	Ø150 (5.91)	[[100 (3.94)
ILG-S 250/SP9	Ø150 (5.91)	[[100 (3.94)

Type	Valve Connection	Max. bore	Max. stem height
ILG-S 210	Ø20 (0.79)	[[17 (0.67)	34 (1.34)
ILG-S 550	Ø32 (1.26)	[[27 (1.06)	50 (1.97)
ILG-S 880	Ø40 (1.57)	[[32 (1.26)	68 (2.68)
ILG-S 1250	Ø45 (1.77)	[[36 (1.42)	79 (3.11)
ILG-S 1950	Ø58 (2.28)	[[46 (1.81)	104 (4.09)
ILG-S 1950/SP4	Ø58 (2.28)	[[46 (1.81)	104 (4.09)
ILG-S 6800/SP4	Ø65 (2.56)	[[55 (2.17)	117 (4.61)
ILG-S 6800/SP6	Ø65 (2.56)	[[55 (2.17)	117 (4.61)
ILG-S 200/SP9	Ø130 (5.12)	[[90 (3.54)	150 (5.91)
ILG-S 250/SP9	Ø130 (5.12)	[[90 (3.54)	150 (5.91)

Couplings are retained on the stem shaft not in the gearbox, please specify if required.

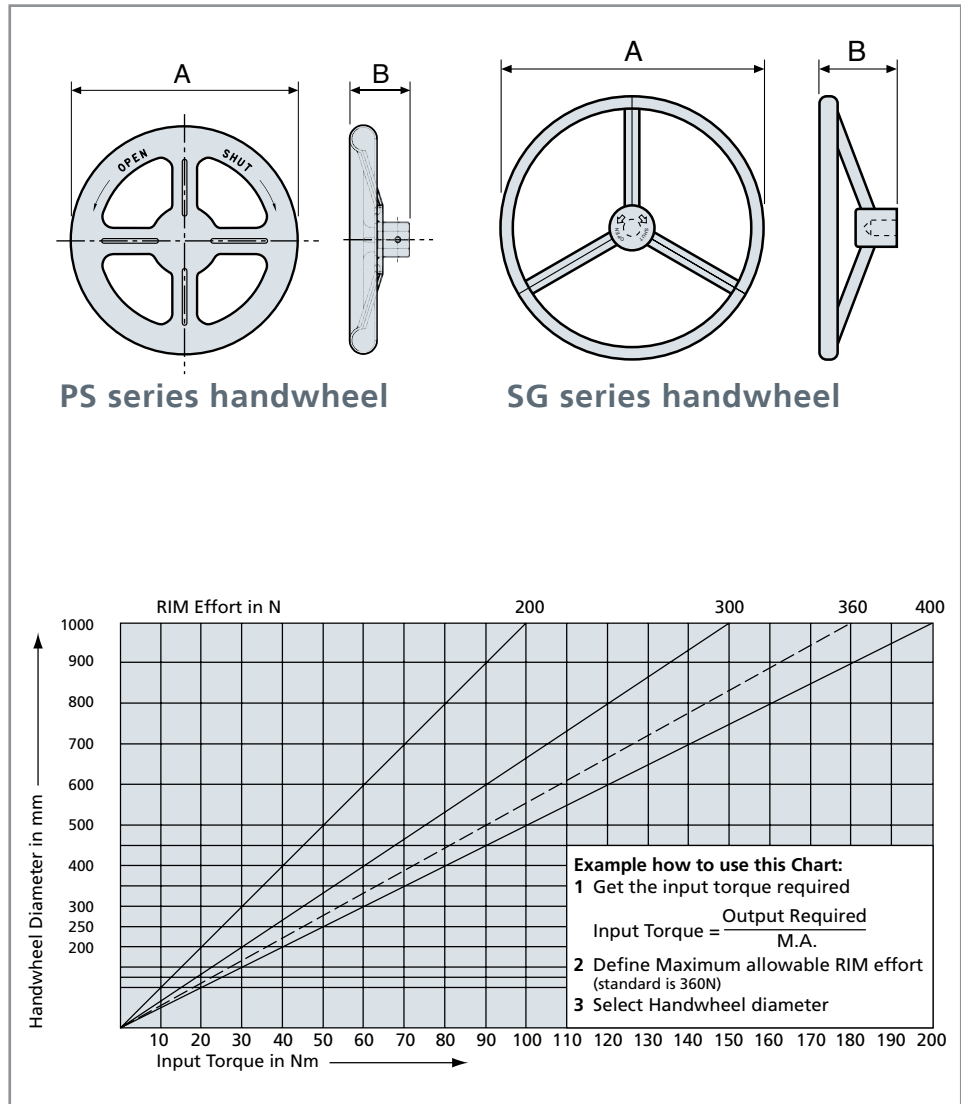
Type	A	B	C	D	E	F	G	H	h	I	Øk	L	Valve Connection BC acc. ISO 5211	Act. Connection BC acc. ISO 5211
ILG-S 210	102 (4.02)	128 (5.04)	48 (1.89)	52 (2.05)	160 (6.30)	84.5 (3.33)	-	-	5 (0.20)	14 (0.55)	15 (0.59)	8 (0.31)	F05-F07-F10	F05-F07-F10
ILG-S 210 LB	150 (5.91)	155 (6.10)	75 (2.95)	52 (2.05)	159 (6.26)	84.5 (3.33)	-	-	5 (0.20)	14 (0.55)	15 (0.59)	8 (0.31)	F12	F05-F07-F10
ILG-S 550	138 (5.43)	174 (6.85)	69 (2.72)	71 (2.80)	201 (7.91)	119 (4.69)	-	-	6 (0.24)	24 (0.95)	20 (0.79)	12 (0.47)	F07-F10-F12-F14	F07-F10-F12
ILG-S 550 LB	210 (8.27)	210 (8.27)	105 (4.13)	71 (2.80)	201 (7.91)	119 (4.69)	-	-	6 (0.24)	14 (0.55)	20 (0.79)	12 (0.47)	F16	F07-F10-F12
ILG-S 880	200 (7.87)	226 (8.90)	100 (3.94)	86 (3.39)	189 (7.44)	131 (5.16)	-	-	8 (0.31)	24 (0.95)	20 (0.79)	12 (0.47)	F10-F12-F14-F16	F10-F12-F14
ILG-S 880 LB	260 (10.24)	256 (10.07)	130 (5.11)	86 (3.39)	189 (7.44)	131 (5.16)	-	-	8 (0.31)	14 (0.55)	20 (0.79)	12 (0.47)	F20	F10-F12-F14
ILG-S 1250	220 (8.66)	258 (10.16)	110 (4.33)	104.5 (4.11)	230 (9.06)	149 (5.87)	-	-	8 (0.31)	24 (0.95)	20 (0.79)	12 (0.47)	F10-F12-F14-F16	F12-F14-F16
ILG-S 1250 LB	285 (11.22)	291 (11.44)	143 (5.61)	104.5 (4.11)	230 (9.06)	149 (5.87)	-	-	8 (0.31)	14 (0.55)	20 (0.79)	12 (0.47)	F25	F12-F14-F16
ILG-S 1950	285 (11.22)	323 (12.72)	143 (5.63)	130 (5.12)	275 (10.83)	175 (6.89)	-	-	10 (0.39)	28 (1.10)	25 (0.98)	12 (0.47)	F12-F14-F16-F25	F16-F25
ILG-S 1950 LB	350 (13.8)	355 (14.00)	175 (6.9)	130 (5.12)	275 (10.83)	178 (7.01)	-	-	13 (0.51)	28 (1.10)	25 (0.98)	12 (0.47)	F30	F16-F25
ILG-S 1950/SP4	285 (11.22)	323 (12.72)	143 (5.63)	130 (5.12)	-	175 (6.89)	211 (8.31)	335 (13.19)	10 (0.39)	28 (1.10)	25 (0.98)	12 (0.47)	F12-F14-F16-F25	F16-F25
ILG-S 1950/SP4 LB	350 (13.8)	355 (14.00)	175 (6.9)	130 (5.12)	-	178 (7.01)	211 (8.31)	363 (14.3)	13 (0.51)	28 (1.10)	25 (0.98)	12 (0.47)	F30	F16-F25
ILG-S 6800/SP4	370 (14.57)	402 (15.83)	170 (6.69)	182 (7.17)	-	223 (8.78)	263 (10.35)	388 (15.28)	8 (0.31)	28 (1.10)	25 (0.98)	20 (0.79)	F16-F25-F30	F25-F30
ILG-S 6800/SP4 LB	415 (16.34)	440 (17.3)	207.5 (8.17)	182 (7.17)	-	223 (8.78)	263 (10.35)	388 (15.28)	29 (1.14)	28 (1.10)	25 (0.98)	12 (0.47)	F35	F16-F25
ILG-S 6800/SP6	370 (14.59)	402 (15.83)	170 (6.69)	182 (7.17)	-	223 (8.78)	278 (10.94)	434 (17.09)	8 (0.31)	24 (0.95)	25 (0.98)	20 (0.79)	F16-F25-F30	F25-F30
ILG-S 6800/SP6 LB	415 (16.34)	440 (17.3)	207.5 (8.17)	182 (7.17)	-	223 (8.78)	278 (10.94)	434 (17.09)	29 (1.14)	24 (0.95)	25 (0.98)	20 (0.79)	F35	F25-F30
ILG-S 200/SP9	440 (17.3)	491 (19.33)	207.5 (8.17)	209 (8.23)	-	294 (11.57)	384 (15.12)	459 (18.07)	10 (0.39)	28 (1.10)	30 (1.18)	-	F25-F30-F35	F25-F30-F35
ILG-S 250/SP9	510 (20.08)	585 (23.03)	235 (9.25)	256 (10.08)	-	294 (11.57)	431 (16.97)	499 (19.65)	10 (0.39)	20 (0.79)	30 (1.18)	-	F25-F30-F35-F40	F25-F30-F35

All dimensions in millimetres. *Flange thickness from the ILG-S 200/SP9 & ILG-S 250/SP9 changes per application.

Handwheel Selection Chart

Input Torque

Type	M.A. ± 15%
ILG-S 210	11.6
ILG-S 550	12.0
ILG-S 880	13.2
ILG-S 1250	19.0
ILG-S 1950	19.0
ILG-S 1950/SP4	54.4
ILG-S 6800/SP4	93.6
ILG-S 6800/SP6	157
ILG-S 200/SP9	157
ILG-S 250/SP9	225.0



Dimensions

Type	A	B
PS100-12	Ø100 (4")	35 (1,38)
PS125-12	Ø125 (5")	34 (1,34)
PS125-15		48 (1,89)
PS160-12	Ø160 (6")	48 (1,89)
PS160-15		49 (1,93)
PS200-12	Ø200 (8")	51 (2,00)
PS200-15		52 (2,05)
PS200-20		63 (2,48)
PS250-12	Ø250 (10")	63 (2,48)
PS250-15		63 (2,48)
PS250-20		70 (2,76)

Type	A	B
SG200	Ø200 (8")	80 (3,15")
SG250	Ø250 (10")	110 (4,33")
SG300	Ø300 (12")	115 (4,53")
SG400	Ø400 (16")	130 (5,12")
SG500	Ø500 (20")	150 (5,91")
SG600	Ø600 (24")	150 (5,91")
SG700	Ø700 (28")	150 (5,91")
SG800	Ø800 (32")	150 (5,91")
SG900	Ø900 (36")	160 (6,30")
SG1000	Ø1000 (40")	160 (6,30")

Rotork Gears BV
 Nijverheidstraat 25
 7581 PV Losser
 P.O. Box 98
 7580 AB Losser
 The Netherlands

tel: +31 (0)53-5388677
 fax: +31 (0)53-5383939
 email: info@rotorkgears.nl

Rotork Gears UK
 Regina House
 Ring Road
 Bramley, Leeds
 West Yorkshire LS13 4ET
 England

tel: +44 (0)113 2057276
 fax: +44 (0)113 2563556
 email: sales@rotorkgears.com

Rotork Gears Americas
 1811 Brittmoore
 Houston
 Texas 77043
 USA

tel: +1 713 983 7381
 fax: +1 713 856 8022
 email: gears@rotorkgears.com

Rotork Gears S.R.L.
 via Olona, 65/67
 20015 Parabiago (MI)
 Italy

tel: +39 0331 552128
 fax: +39 0331 553147
 email: info@rotorkgears.it

Rotork Gears Shanghai
 No. 260 Lian Cao Road
 Xin Mei Urban Industrial Park
 Min Hang District
 Shang Hai 201108
 China

tel: 0086-21-33236200
 fax: 0086-21-64348366
 email: info@rotorkgears.com.cn

Rotork Valvekits
 Brookside Way,
 Nunn Park,
 Huthwaite,
 Nottinghamshire, NG17 2NL
 England

tel: +44 (0)1623 440211
 fax: +44 (0)1623 440214
 email: sales@rotorkvalvekits.com

Rotork Gears India
 165/166, Bommasandra,
 Jigani Link Road,
 Kiadb Industrial Area,
 Anekal Taluk, Jigani Hobli,
 Bangalore 562106

tel: +91 80 3098 1600
 fax: +91 80 3098 1610
 email: sales@rotork.co.in

Formerly RGM611E. As part of a process of on-going product development, Rotork reserves the right to amend and change specifications without prior notice. Published data may be subject to change.

For the very latest version release, visit our website at www.rotork.com.

The name Rotork is a registered trademark. Rotork recognizes all registered trademarks. Published and produced in the UK by Rotork Controls Limited. RGS1113