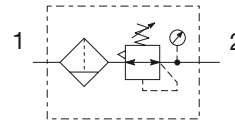


**Global Air Preparation System**

**Compact Filter / Regulator - P32**



**Symbols**



- Integral 1/4", 3/8" or 1/2" ports (NPT, BSPP & BSPT)
- High efficiency 5 micron element as standard
- Excellent water removal efficiency
- Robust but lightweight aluminum construction
- Positive bayonet latch to ensure correct & safe fitting
- Secondary pressure ranges 0-2 bar (0-30 psig), 0-4 bar (0-60 psig), 0-8 bar (0-125 psig), 0-17 bar (0-250 psig)
- Secondary aspiration plus balanced poppet provides quick response and accurate pressure regulation

**Options:**

<b>P 3 2 E</b>	*				<b>E</b>				<b>N</b>		<b>P</b>
<b>Thread type</b>		<b>Port size</b>		<b>Drain type</b>		<b>Engr. level</b>		<b>Element</b>		<b>Relief</b>	
BSPP	<b>1</b>	1/4	<b>2</b>	Manual drain	<b>M</b>	* Will be entered at factory		5µ Element	<b>E</b>	Relieving	<b>B</b>
BSPT	<b>2</b>	3/8	<b>3</b>	Auto drain	<b>A</b>					Non relieving	<b>N</b>
NPT	<b>9</b>	1/2	<b>4</b>					<b>Bowl type</b>		<b>Adjustment range</b>	
								Poly bowl with bowl guard	<b>G</b>	<b>With round gauge</b>	
								Metal bowl without sight gauge	<b>M</b>	2 bar; 30 psig; 0.2 MPa	
								Metal bowl with sight gauge	<b>S</b>	4 bar; 60 psig; 0.4 MPa	
										8 bar; 125 psig; 0.8 MPa	
										17 bar; 250 psig; 1.7 MPa	
										<b>Without gauge</b>	
										2 bar; 30 psig; 0.2 MPa	
										4 bar; 60 psig; 0.4 MPa	
										8 bar; 125 psig; 0.8 MPa	
										17 bar; 250 psig; 1.7 MPa	
										<b>Mounting</b>	
										Plastic panel mount nut	
										<b>P</b>	

\* Not available with poly bowl with bowl guard.

\* Engineering Level will be entered at factory.

Port size	Description	Order Code†	Flow‡ dm <sup>3</sup> /s (scfm)	Max. bar (psig)	Height mm (inches)	Width mm (inches)	Depth mm (inches)
1/4"	8 bar (125 psig) Relieving - Poly bowl - Manual drain	<b>P32E*92EGMBNGP</b>	42 (89)	10 (150)	254 (10.0)	60 (2.36)	60 (2.36)
1/4"	8 bar (125 psig) Relieving - Poly bowl - Auto drain	<b>P32E*92EGABNGP</b>	42 (89)	10 (150)	248 (9.76)	60 (2.36)	60 (2.36)
1/4"	8 bar (125 psig) Relieving - Metal bowl - Manual drain	<b>P32E*92ESMBNGP</b>	42 (89)	17 (250)	245 (9.66)	60 (2.36)	60 (2.36)
1/4"	8 bar (125 psig) Relieving - Metal bowl - Auto drain	<b>P32E*92ESABNGP</b>	42 (89)	17 (250)	254 (10.0)	60 (2.36)	95 (3.74)
3/8"	8 bar (125 psig) Relieving - Poly bowl - Manual drain	<b>P32E*93EGMBNGP</b>	58 (123)	10 (150)	254 (10.0)	60 (2.36)	60 (2.36)
3/8"	8 bar (125 psig) Relieving - Poly bowl - Auto drain	<b>P32E*93EGABNGP</b>	58 (123)	10 (150)	248 (9.76)	60 (2.36)	60 (2.36)
3/8"	8 bar (125 psig) Relieving - Metal bowl - Manual drain	<b>P32E*93ESMBNGP</b>	58 (123)	17 (250)	245 (9.66)	60 (2.36)	60 (2.36)
3/8"	8 bar (125 psig) Relieving - Metal bowl - Auto drain	<b>P32E*93ESABNGP</b>	58 (123)	17 (250)	254 (10.0)	60 (2.36)	95 (3.74)
1/2"	8 bar (125 psig) Relieving - Poly bowl - Manual drain	<b>P32E*94EGMBNGP</b>	64 (136)	10 (150)	245 (9.66)	60 (2.36)	95 (3.74)
1/2"	8 bar (125 psig) Relieving - Poly bowl - Auto drain	<b>P32E*94EGABNGP</b>	64 (136)	10 (150)	248 (9.76)	60 (2.36)	95 (3.74)
1/2"	8 bar (125 psig) Relieving - Metal bowl - Manual drain	<b>P32E*94ESMBNGP</b>	64 (136)	17 (250)	245 (9.66)	60 (2.36)	60 (2.36)
1/2"	8 bar (125 psig) Relieving - Metal bowl - Auto drain	<b>P32E*94ESABNGP</b>	64 (136)	17 (250)	254 (10.0)	60 (2.36)	60 (2.36)

† Standard part numbers shown in bold. For other models refer to Options chart above.

‡ Flow with 10 bar (145 psig) inlet pressure, 6.3 bar (91.3 psig) set pressure and 1 bar (14.5 psig) pressure drop.



PRZEDSTAWICIEL  
HANDLOWY

"ARMMASTER"  
Przedsiębiorstwo Handlowo-Usługowe  
Stanisław Zawieja  
98-200 Sieradz; ul. E. Orzeszkowej 3  
NIP: 827-108-05-12

Biuro handlowe  
98-200 Sieradz; ul. Jana Pawła 11 59  
Tel. / fax (43) 822 32 36  
Tel. kom. 602 373 675  
www.armaster.com.pl

# Global Air Preparation System

## Specifications

Flow Capacity*	1/4	42 dm <sup>3</sup> /s (89 scfm)
	3/8	58 dm <sup>3</sup> /s (123 scfm)
	1/2	64 dm <sup>3</sup> /s (136 scfm)
Operating Temperature	Plastic Bowl	-25°C to 52°C (-13°F to 125°F)
	Metal Bowl	-25°C to 65.5°C (-13°F to 150°F)
Max. Supply Pressure	Plastic Bowl	10 bar (150 psig)
	Metal Bowl	17 bar (250 psig)
Standard Filtration		5 Micron
Useful Retention†		51 cm <sup>3</sup> (1.7 US oz.)
Adjusting Range Pressure		0-2 bar (30 psig) 0-4 bar (60 psig) 0-8 bar (125 psig) 0-17 bar (250 psig)
Port Size	BSP / BSPT / NPT	1/4, 3/8, 1/2
Gauge Port (2 ea.)	BSP / BSPT / NPT	1/4
Weight		0.53 kg (1.17 lbs)

\* Inlet pressure 10 bar (145 psig). Secondary pressure 6.3 bar (91.3 psig).  
† Useful retention refers to volume below the quiet zone baffle.

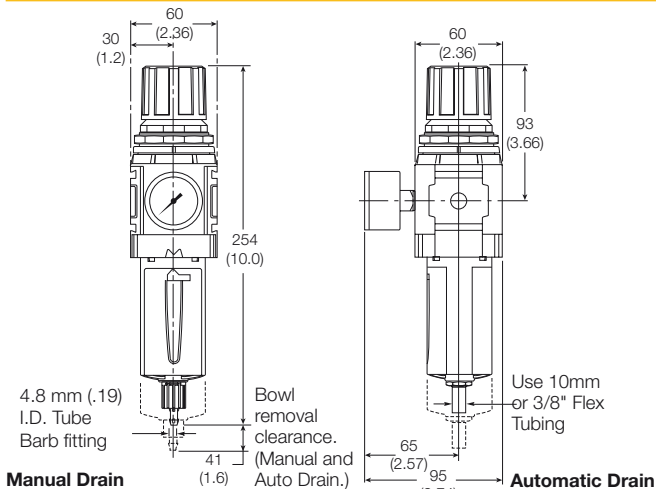
### Air quality:

Within ISO 8573-1: 1991 Class 3 (Particulates)  
Within ISO 8573-1: 2001 Class 6 (Particulates)

## Materials of Construction

Body	Aluminum	
Adjustment Knob	Acetal	
Body Cap	ABS	
Element Retainer / Baffle	Acetal	
Bowl	Plastic Bowl	Polycarbonate
	Metal Bowl	Zinc
Bowl Guard	Nylon	
Filter Element	Sintered Polyethylene	
Seals	Nitrile	
Springs	Main Regulating / Valve	Steel / S.S.
Valve Assembly	Brass / Nitrile	
Diaphragm Assembly	Nitrile / Zinc	
Panel Nut	Acetal	
Sight Gauge	Metal Bowl	Polycarbonate

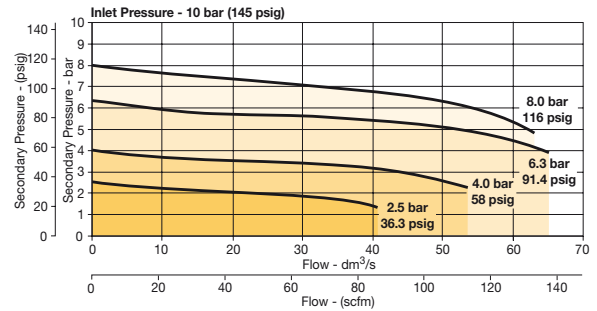
## Dimensions mm (inches)



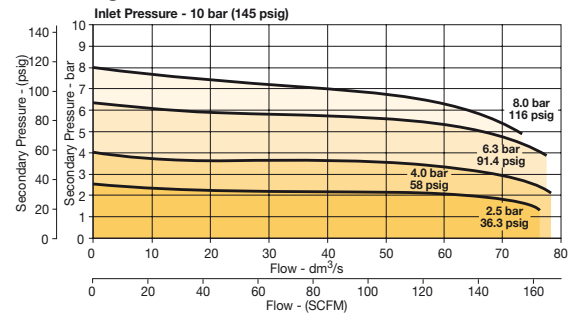
**WARNING**  
 Product rupture can cause serious injury.  
 Do not connect regulator to bottled gas.  
 Do not exceed Maximum primary pressure rating.

## Flow Charts

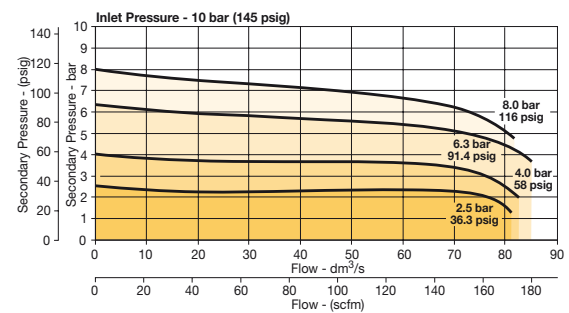
### 1/4 Filter/Regulator



### 3/8 Filter/Regulator



### 1/2 Filter/Regulator



## Repair and Service Kits

Plastic bowl / Bowl guard manual drain	<b>P32KA00BGM</b>
Metal bowl / Sight gauge manual drain	<b>P32KA00BSM</b>
Auto drain	<b>P32KA00DA</b>
5µ particle filter element	<b>P32KA00ESE</b>
Regulator repair kit - Relieving	<b>P32KA00RB</b>
Regulator repair kit - Non-relieving	<b>P32KA00RC</b>
Panel mount nut - Aluminum	<b>P32KA00MM</b>
Panel mount nut - Plastic	<b>P32KA00MP</b>
Angle Bracket (fits to panel mount threads)	<b>P32KA00MR</b>
T-Bracket (fits to body connector)	<b>P32KA00MB</b>
T-Bracket with body connector	<b>P32KA00MT</b>
Body connector	<b>P32KA00CB</b>

## Gauges

### 50mm (2") Round 1/4" center back mount

0-30 psig / 0-2 bar / 0-0.2 MPa	<b>K4520N14030</b>
0-60 psig / 0-4 bar / 0-0.4 MPa	<b>K4520N14060</b>
0-160 psig / 0-11 bar / 0-1.1 MPa	<b>K4520N14160</b>
0-300 psig / 0-20 bar / 0-2 MPa	<b>K4520N14300</b>

For best performance, regulated pressure should always be set by increasing the pressure up to the desired setting.