



NAMUR 1/4 & 1/2 High Flow valves for actuator control



PRZEDSTAWICIEL
HANDLOWY

"ARMASER"

Przedsiębiorstwo Handlowo-Usługowe
Stanisław Zawieja
98-200 Sieradz; ul. E. Orzeszkowej 3
NIP: 827-108-05-12

Biurowie handlowe

98-200 Sieradz; ul. Jana Pawła 11 59
Tel. / fax (43) 822 32 36
Tel. kom. 602 373 675
www.armaster.com.pl



INDEX

General Informationpage 2
 G 1/4 Seriespage 4
 G 1/2 Seriepage 6
 Accessoriespage 8

TECHNICAL DATA

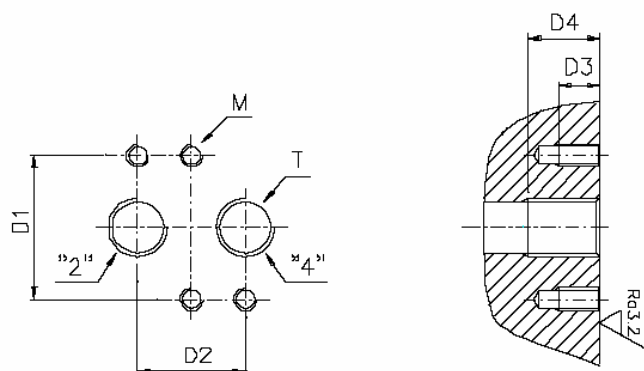
Function:	3/2 , 5/2 and 5/3 solenoid and air operated valves.
Manual override:	Standard on all solenoid operated versions
Design:	Pilot operated spool valve with combined pneumatic and spring return
Mounting:	For direct mounting on NAMUR interface
Mounting position:	Indifferent.
Material specifications:	Aluminium body. Internal parts from stainless steel. Sealing material from NBR
Range of admissible pressure drop:	Δp min. = see table Δp max. = 10 bar
Media:	Dry or lubricated air
Fluid temperature:	Min. 0 °C. Max. + 50 °C.
Ambient temperature:	-10 °C to +50 °C.
Electrical part:	Miniature coil 496131 (3W) encapsulated in synthetic material. Connection with 3-pin DIN 43650 type B plug. Degree of protection IP 65.
Solenoid duty:	100% ED
Voltage:	12 VDC , 24 VDC , 48 VDC , 24 V / 50-60 AC, 48 V / 50-60 AC, 110 V / 50-60 AC 115 V / 60 Hz AC, 230 V / 50-60 AC
Voltage tolerance:	\pm 10% of nominal
Class of insulation material:	Class F for 496131 coil.

Applications

- 3- or 4-way directional valves for the control of single – or double acting pneumatic actuators
- The interface design corresponds to the NAMUR standard and the VDI/VDE 3845 recommendations of the actuator industry and permits a compact design of the actuator/valve unit.

NAMUR Interfaces

T	D1 mm	D2 mm	D3 mm	D4 min. Mm	M mm
1/4	32	24	8	12	M5
1/2	45	40	10	16	M6



Coils

Without DIN plug

Voltage	Description	Order No.
12VDC	22mm standard coil	496131 C1
24VDC	22mm standard coil	496131 C2
48VDC	22mm standard coil	496131 C4
110VDC	22mm standard coil	496131 C5
24/50-60AC	22mm standard coil	496131 P0
48/50-60AC	22mm standard coil	496131 S4
110/50-60AC	22mm standard coil	496131 P2
115/60AC	22mm standard coil	496131 K8
230/50-60AC	22mm standard coil	496131 P9

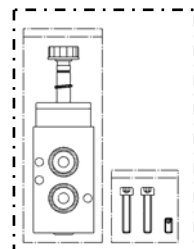
With DIN plug

Voltage	Description	Order No.
12VDC	22mm standard coil	496482 C1
24VDC	22mm standard coil	496482 C2
48VDC	22mm standard coil	496482 C4
110VDC	22mm standard coil	496482 C5
24/50-60AC	22mm standard coil	496482 P0
48/50-60AC	22mm standard coil	496482 S4
110/50-60AC	22mm standard coil	496482 P2
115/60AC	22mm standard coil </td <td>496482 K8</td>	496482 K8
230/50-60AC	22mm standard coil	496482 P9

How to order

Valve reference No. * - Coil reference – Voltage code = order code **(non assembled)**

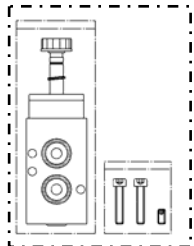
* includes mounting kit for coil assembly + 2x NAMUR O-rings + 2 mounting screws and positioning dowel



+



Example: 341 N 03 +496131C2 = 341N03-496131C2 **(without DIN plug)**



+



Example: 341 N 03 + 496482C2 = 341N03-496482C2 **(with DIN plug)**

Valves and coils may also be ordered separately

Spare Parts

• **Spare Housing**

Plastic nut with O-ring
Maximum torque 0.5 Nm

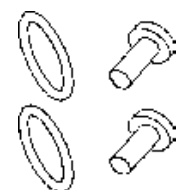
Order No. **3125**



• **Spare part mounting kit**

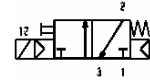
For G 1/4 models - Order No. 496132 Spare part kit includes:
2 screws DIN912 M5x25 A2, 1 pin DIN 913 M5x10 A2, 2 O-rings NBR 15x2.5

For G 1/2 models - Order No. 496133 Spare part kit includes:
2 screws DIN912 M6x35 A2, 1 pin DIN 913 M6x12 A2, 2 O-rings NBR 24x3



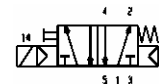
Port size	Orifice	Q _N	Admissible differential pressure [bar]			Max. admissible fluid temperature [°C]	Seat disc	Reference N°		Power consumption [Watt]		Weight [g]	Dim. ref.
			max	min	DC=			AC~	Valve	Coil	DC		
G	mm	L/min	min	DC=	AC~	Min. = 0 °C Air & Neutral gases							

3/2 Pilot operated valve - Internal pressure supply



1/4	7	1250	2.5	10	10	50	NBR	331N03	496131	3	3	300	1
-----	---	------	-----	----	----	----	-----	---------------	--------	---	---	-----	---

5/2 Pilot operated valve - Internal pressure supply



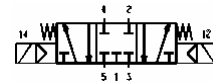
1/4	7	1250	2.5	10	10	50	NBR	341N03	496131	3	3	300	2
-----	---	------	-----	----	----	----	-----	---------------	--------	---	---	-----	---

5/2 Control by 2 solenoids and internal pressure supply



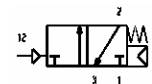
1/4	7	1250	2	10	10	50	NBR	347N03	496131	3	3	430	3
-----	---	------	---	----	----	----	-----	---------------	--------	---	---	-----	---

5/3 Control by 2 solenoids and internal pressure supply Closed in centre position



1/4	7	1250	3	10	10	50	NBR	342N03	496131	3	3	430	4
-----	---	------	---	----	----	----	-----	---------------	--------	---	---	-----	---

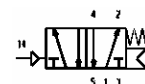
3/2 Externally operated valve - External pressure supply 2.5 to



10 bar

1/4	7	1250	2.5	10	10	50	NBR	531N03	-	-	-	210	5
-----	---	------	-----	----	----	----	-----	---------------	---	---	---	-----	---

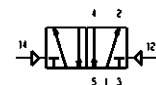
5/2 Externally operated valve - External pressure supply 2.5 to



10 bar

1/4	7	1250	2.5	10	10	50	NBR	541N03	-	-	-	210	6
-----	---	------	-----	----	----	----	-----	---------------	---	---	---	-----	---

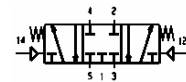
5/2 Externally operated valve – 2x External pressure supply 2 to



10 bar

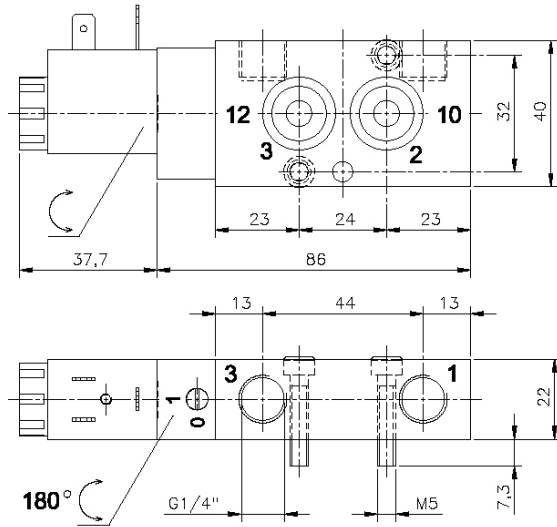
1/4	7	1250	1.5	10	10	50	NBR	547N03	-	-	-	240	7
-----	---	------	-----	----	----	----	-----	---------------	---	---	---	-----	---

5/3 Externally operated valve – 2x External pressure supply 3 to Closed in centre position

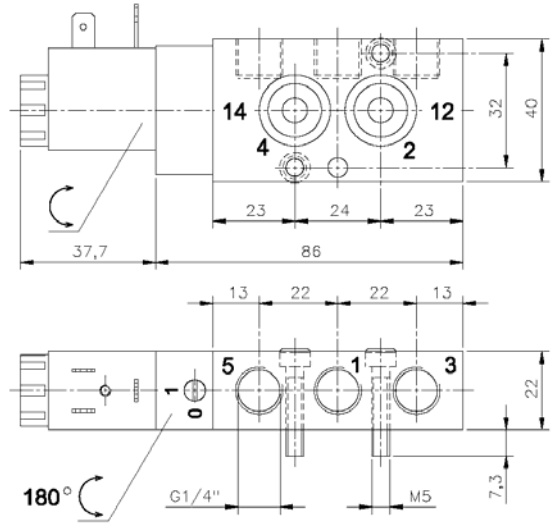


10 bar

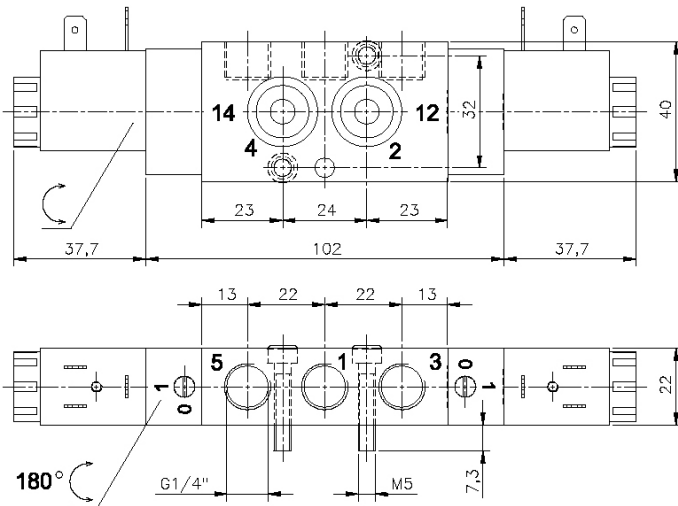
1/4	7	1250	1.5	10	10	50	NBR	542N03	-	-	-	210	8
-----	---	------	-----	----	----	----	-----	---------------	---	---	---	-----	---



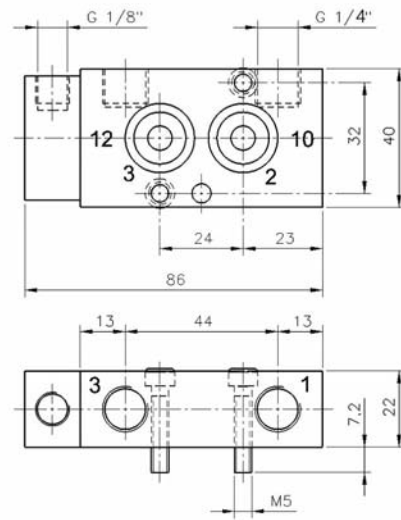
Dimension ref. 1



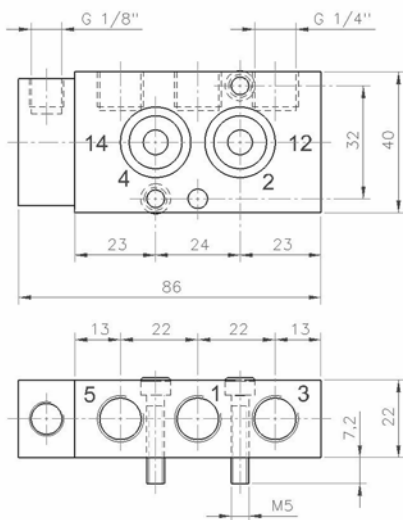
Dimension ref. 2



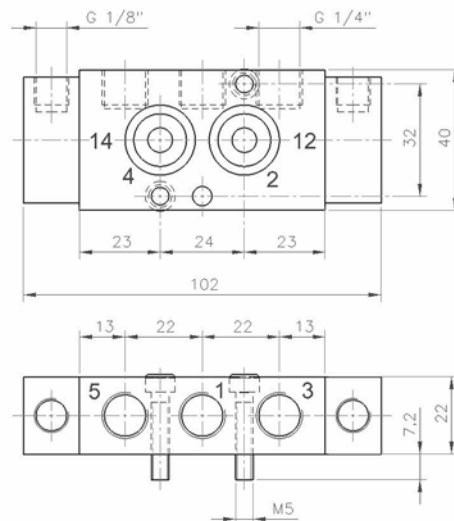
Dimension ref. 3 & 4



Dimension ref. 5



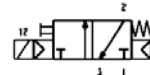
Dimension ref. 6



Dimension ref. 7 & 8

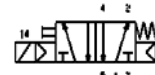
Port size	Orifice	Q _N	Admissible differential pressure [bar]			Max. admissible fluid temperature [°C]	Seat disc	Reference N°		Power consumption [Watt]		Weight [g]	Dim. ref.
			max					Valve	Coil	DC	AC		
G	mm	L/min	min	DC=	AC~	Min. = 0 °C Air & Neutral gases							

3/2 Pilot operated valve - Internal pressure supply



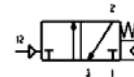
1/2	12	3000	2.5	10	10	50	NBR	331N04	496131	3	3	720	9
-----	----	------	-----	----	----	----	-----	---------------	--------	---	---	-----	---

5/2 Pilot operated valve - Internal pressure supply



1/2	12	3000	2.5	10	10	50	NBR	341N04	496131	3	3	700	10
-----	----	------	-----	----	----	----	-----	---------------	--------	---	---	-----	----

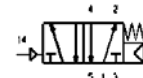
3/2 Externally operated valve - External pressure supply 2.5 to 10



bar

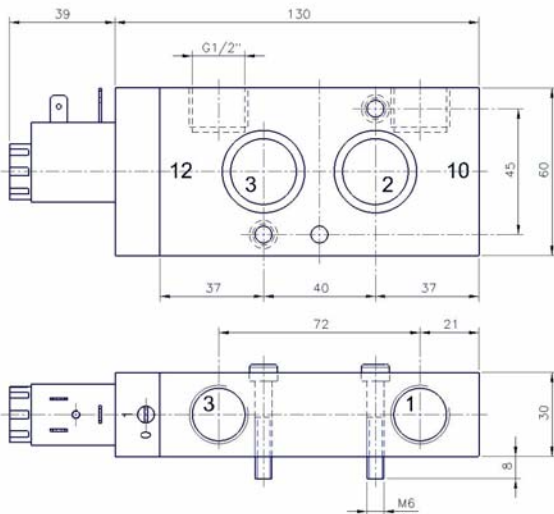
1/2	12	3000	2.5	10	10	50	NBR	531N04	-	-	-	620	11
-----	----	------	-----	----	----	----	-----	---------------	---	---	---	-----	----

5/2 Externally operated valve - External pressure supply 2.5 to

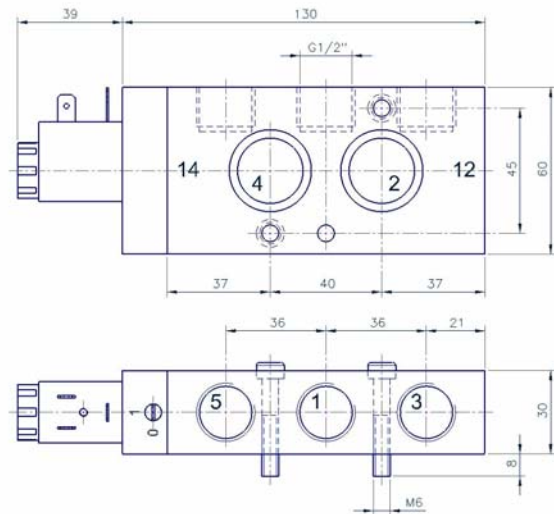


10 bar

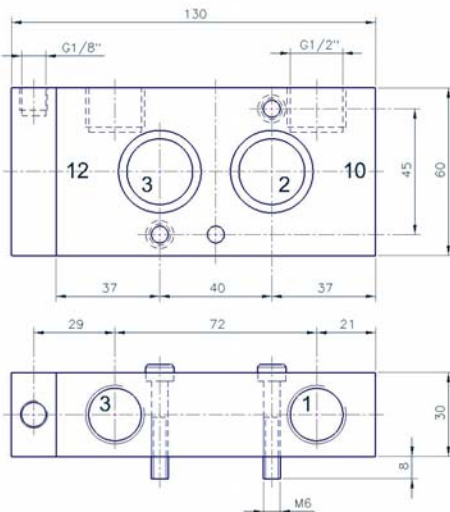
1/2	12	3000	2.5	10	10	50	NBR	541N04	-	-	-	600	12
-----	----	------	-----	----	----	----	-----	---------------	---	---	---	-----	----



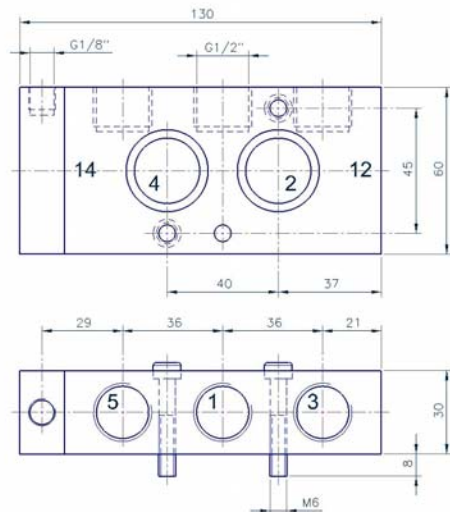
Dimension ref. 9



Dimension ref. 10



Dimension ref. 11



Dimension ref. 12



"ARMASER"

Przedsiębiorstwo Handlowo-Usługowe
Stanisław Zawieja
98-200 Sieradz; ul. E. Orzeszkowej 3
NIP: 827-108-05-12

**PRZEDSTAWICIEL
HANDLOWY**

Biuro handlowe

98-200 Sieradz; ul. Jana Pawła || 59
Tel. / fax (43) 822 32 36
Tel. kom. 602 373 675
www.armaster.com.pl