

E

D-Module DCR3LTASAZM20

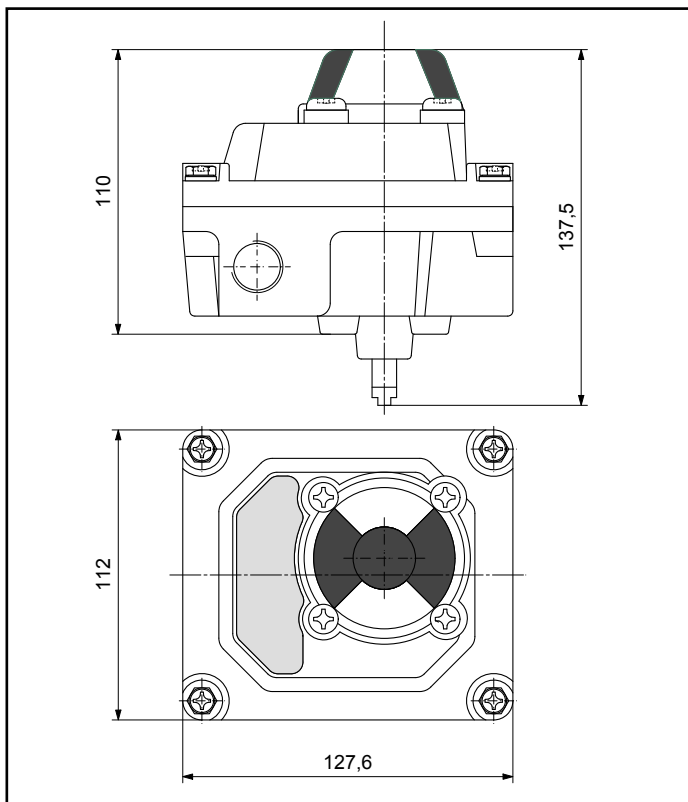
D-Module pressure-capsulated with two micro switches Crouzet, in Aluminium-Housing 128x112x110 mm, with high vision beacon „Open+Closed“ low temperature design up to -40° C



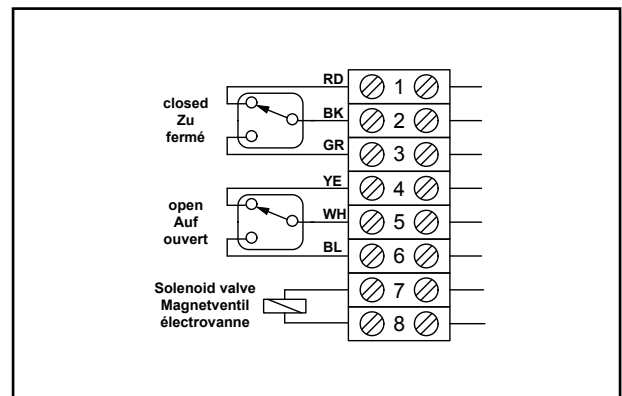
TECHNICAL DATA

Manufacturer: Crouzet
Type: Micro switch, SPDT
Operating voltage: 125 ... 250 V AC
Operating current: max. 15 A
Temperature range: -40° ... +85° C
Housing: Die-cast Aluminium, polyester powder coated
Cover color red (RAL3020)
Base color grey (RAL7001)
Ingress protection: IP66
Switch. precision: < 1°
System connection: 2x M20x1,5 (without cable glands)

DIMENSIONS



WIRING DIAGRAM



Ex II 2G Ex d IIB T6
DNV 10 ATEX 71864X

ARMMASTER
MISTRZOWSKA ARMATURA

PRZEDSTAWICIEL
HANDLOWY

"ARMMASTER"
Przedsiębiorstwo Handlowo-Usługowe
Stanisław Zawieja
98-200 Sieradz; ul. E. Orzeszkowej 3
NIP: 827-108-05-12

Biurowie handlowe
98-200 Sieradz; ul. Jana Pawła 11 59
Tel. / fax (43) 822 32 36
Tel. kom. 602 373 675
www.armaster.com.pl