

ARTICULO: 2109

Válvula de mariposa tipo wafer.

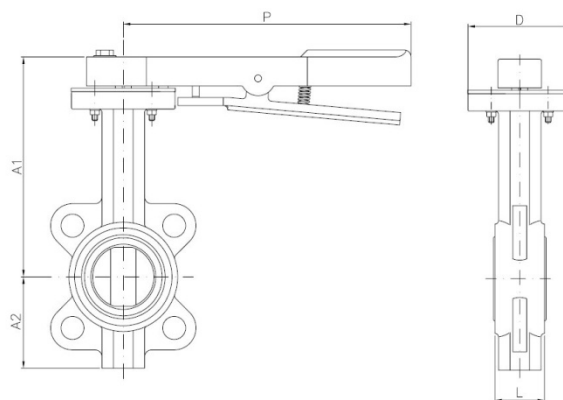
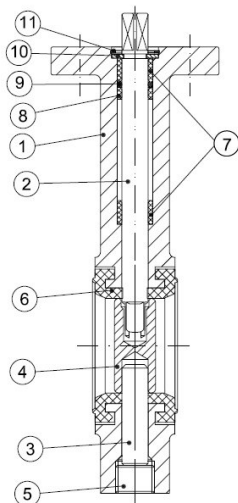
Butterfly valve wafer type.

Características

1. Válvula de mariposa tipo wafer.
2. Cuerpo de fundición GG-20 para montaje entre bridas ANSI 150 y DIN PN 10/16.
3. Elastómero de EPDM.
4. Disco de acero Inoxidable 316 (CF8M).
5. Brida montaje actuadores según ISO 5211 – DIN 3337.
6. Longitud entre caras según UNE EN 558-1 Serie 20 (DIN 3202 K1).
7. Pintado con pintura Epoxi.
8. Temperatura de trabajo -20°C +120 °C.
9. Máxima presión de trabajo:
16 bar (medidas 2” a 12”)
10 bar (medidas 14” a 20”)

Features

1. Butterfly valve wafer type.
2. GG-20 Cast Iron body allows installation in ANSI 150 and DIN PN 10/16 pipe flanges.
3. EPDM body seat.
4. Butterfly made in Stainless steel 316 (CF8M).
5. Actuator mounting plate according to ISO 5211 – DIN 3337.
6. Face to face according to UNE EN 558-1 Series 20 (DIN 3202 K1).
7. Epoxy coating.
8. Working Temperature -20°C + 120 °C.
9. Maximum working pressure:
16 bar (sizes 2” to 12”)
10 bar (sizes 14” to 20”)



| Nº | Denominación / Name | Material | Acabado Superficial / Surface Treatment |
|----|---------------------|-----------------------------------|---|
| 1 | Cuerpo / Body | Fundición GG-20 / Cast iron GG-20 | Pintado Epoxi / Epoxy Painted |
| 2 | Eje / Stem | Acero Inox AISI 416 / SS 416 | ----- |
| 3 | Pivote / Pivot | Acero Inox AISI 416 / SS 416 | ----- |
| 4 | Disco / Disc | Acero Inox AISI 316 / SS 316 | Granallado / Shot Blasting |
| 5 | Tapón / Plug | Acero Carbono / Carbon Steel | Cincado / Zinc Plated |
| 6 | Elastómero / Seat | EPDM | ----- |
| 7 | Casquillo / Bush | PTFE + Grafito | ----- |
| 8 | Casquillo / Bush | PTFE + Grafito | ----- |
| 9 | Tórica / O' ring | NBR | ----- |
| 10 | Arandela / Washer | Bronze | ----- |

| | | | |
|----|-----------------------|-------------------------------|-------------------------------|
| 11 | Seguro / Stop Ring | Acero / Steel | ----- |
| 12 | Placa dentada / Plate | Acero / Steel | Cincado / Zinc Plated |
| 13 | Palanca / Handle | Aluminio / Cast iron GG-20 | Pintado Epoxi / Epoxy Painted |

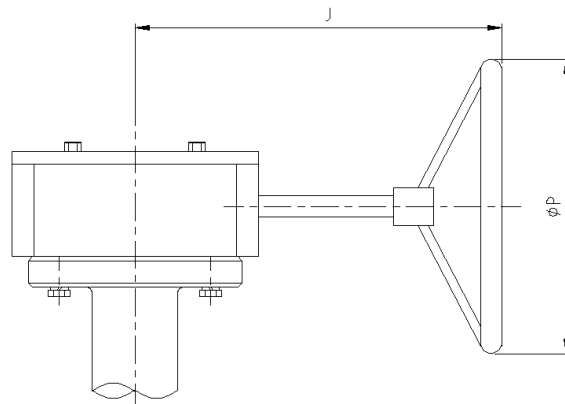
DIMENSIONES GENERALES / GENERAL DIMENSIONS

| Ref | Medida/ Size | DN | PN | L | Dimensiones / Dimensions (mm) | | | | Peso/ Weight (kg) |
|---------|-----------------|-----|----|-----|-------------------------------|-----|-----|-----|-------------------------|
| | | | | | A1 | A2 | J | P | |
| 2109 09 | 2" | 50 | 16 | 43 | 238 | 70 | *** | 180 | 2,8 |
| 2109 10 | 2 ½" | 65 | 16 | 46 | 238 | 80 | *** | 180 | 3,3 |
| 2109 11 | 3" | 80 | 16 | 46 | 238 | 100 | *** | 180 | 3,8 |
| 2109 12 | 4" | 100 | 16 | 52 | 270 | 115 | *** | 215 | 6,1 |
| 2109 13 | 5" | 125 | 16 | 56 | 300 | 125 | *** | 215 | 7,4 |
| 2109 14 | 6" | 150 | 16 | 56 | 300 | 145 | *** | 215 | 8,9 |
| 2109 16 | 8" | 200 | 16 | 60 | 300 | 150 | *** | 300 | 14,4 |
| 2109 18 | 10" | 250 | 16 | 68 | 330 | 200 | *** | 300 | 21,2 |
| 2109 20 | 12" | 300 | 16 | 78 | 360 | 250 | 240 | 290 | 37,5 |
| 2109 22 | 14" | 350 | 10 | 78 | 390 | 260 | 257 | 290 | 56,1 |
| 2109 24 | 16" | 400 | 10 | 102 | 420 | 300 | 257 | 290 | 77,6 |
| 2109 26 | 18" | 450 | 10 | 114 | 445 | 330 | 306 | 400 | 118,5 |
| 2109 28 | 20" | 500 | 10 | 127 | 480 | 370 | 306 | 400 | 151,5 |

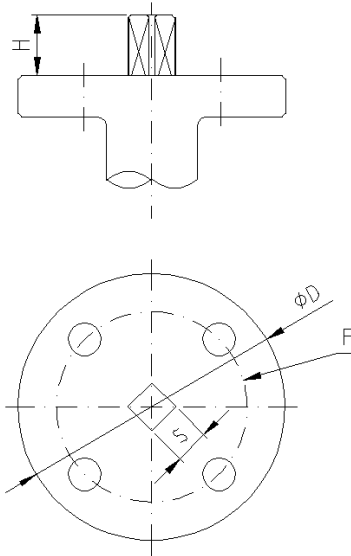
*** Nota: De 2" a 6" Maneta de aluminio / From 2" to 6" Aluminium handle.

De 8" a 10" Maneta de fundición de hierro / From 8" to 10" cast iron handle.

A partir de 12" operación mediante reductor manual / From 12", handling by gear box.



Dimensiones de brida superior / Top flange dimensions:



| Top flange dimensions | | | | | | |
|-----------------------|-----|-------------|----|-----|----|------------|
| Article | DN | F (ISO5211) | S | D | H | Torque N.m |
| 2109 09 | 50 | F05 | 11 | 65 | 30 | 12 |
| 2109 10 | 65 | F05 | 11 | 65 | 30 | 20 |
| 2109 11 | 80 | F05 | 11 | 65 | 30 | 27 |
| 2109 12 | 100 | F07 | 14 | 90 | 30 | 39 |
| 2109 13 | 125 | F07 | 14 | 90 | 30 | 58 |
| 2109 14 | 150 | F07 | 14 | 90 | 30 | 90 |
| 2109 16 | 200 | F07/F10 | 17 | 125 | 30 | 120 |
| 2109 18 | 250 | F10 | 22 | 125 | 40 | 180 |
| 2109 20 | 300 | F10/F12 | 22 | 150 | 40 | 340 |
| 2109 22 | 350 | F12 | 22 | 150 | 45 | 640 |
| 2109 24 | 400 | F14 | 27 | 175 | 45 | 805 |
| 2109 26 | 450 | F14 | 27 | 175 | 45 | 1100 |
| 2109 28 | 500 | F14 | 36 | 175 | 45 | 1500 |

Perdidas de Carga (Cv) según posición del disco / Head losses according to disc position:

| DN | Posición del Disco (grados) / Disc Position (degrees) | | | | | | | | |
|-----|---|-------|-------|------|------|------|------|-----|-----|
| | 90° | 80° | 70° | 60° | 50° | 40° | 30° | 20° | 10° |
| 50 | 144 | 114 | 84 | 61 | 43 | 27 | 16 | 7 | 1 |
| 65 | 282 | 223 | 163 | 107 | 67 | 43 | 24 | 11 | 1.5 |
| 80 | 461 | 364 | 267 | 154 | 96 | 61 | 35 | 15 | 2 |
| 100 | 841 | 701 | 496 | 274 | 171 | 109 | 62 | 27 | 3 |
| 125 | 1376 | 1146 | 775 | 428 | 268 | 170 | 98 | 43 | 5 |
| 150 | 1850 | 1542 | 1025 | 567 | 354 | 225 | 129 | 56 | 6 |
| 200 | 3316 | 2842 | 1862 | 1081 | 680 | 421 | 241 | 102 | 12 |
| 250 | 5430 | 4525 | 2948 | 1710 | 1076 | 667 | 382 | 162 | 19 |
| 300 | 8077 | 6731 | 4393 | 2563 | 1594 | 1005 | 555 | 235 | 27 |
| 350 | 10538 | 8874 | 5939 | 3384 | 2149 | 1320 | 756 | 299 | 34 |
| 400 | 13966 | 11761 | 7867 | 4483 | 2847 | 1749 | 1001 | 397 | 45 |
| 450 | 17214 | 14496 | 10065 | 5736 | 3643 | 2237 | 1281 | 507 | 58 |
| 500 | 22339 | 18812 | 12535 | 7144 | 4536 | 2786 | 1595 | 632 | 72 |

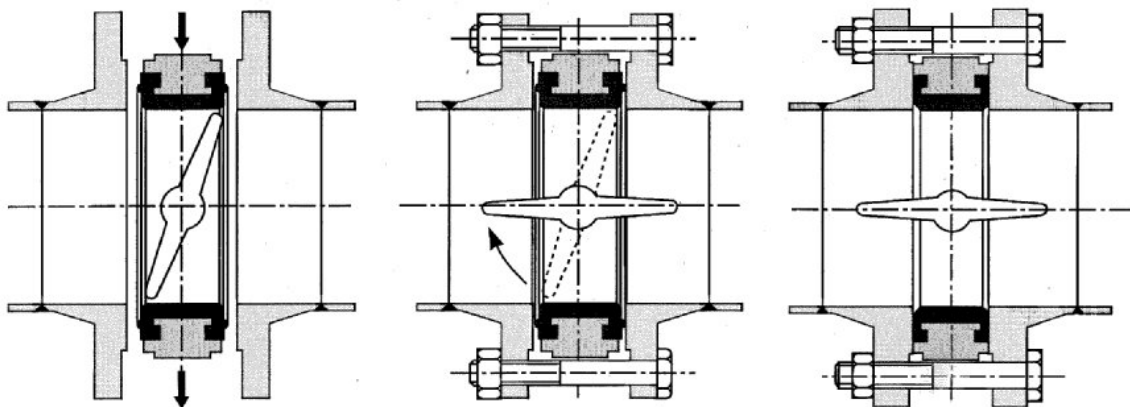
VALORES DE Cv / Cv VALUES

Cv = Es la cantidad de galones por minuto (gpm) que pasará a través de la válvula generando una pérdida de carga de 1 psi.

Cv = The flow rate of water (g.p.m.) which generates a pressure drop of 1 psi across the valve.

Medidas de Precaución para instalación / Precautions measures for Installation:

1. No instale la válvula en posición totalmente cerrada / *Do not install the butterfly valve in total closed position.*
2. Verifique el buen paralelismo de las bridas / *Check the good parallelism of the flanges.*
3. No coloque otras juntas entre las bridas / *Do not insert other gaskets between flange and valve.*



"ARMASER"

Przedsiębiorstwo Handlowo-Usługowe
Stanisław Zawieja
98-200 Sieradz; ul. E. Orzeszkowej 3
NIP: 827-108-05-12

PRZEDSTAWICIEL HANDLOWY

Biuro handlowe

98-200 Sieradz; ul. Jana Pawła || 59
Tel. / fax (43) 822 32 36
Tel. kom. 602 373 675
www.armaster.com.pl